

SHARP®

Ultrasonic Washer

OPERATION MANUAL

UW-A1



Thank you for purchasing this product. Please read this manual and use the product correctly. Be sure to read "Safety Information" before using the product. Keep this manual in a convenient location for reference whenever necessary.

## Contents

### Front

Accessories  
About this Product  
Parts of the Product  
Safety Information  
Maintenance  
Specifications

### Back

Charging (preparation)  
How to use the washer  
(for pre-treatment to remove stain)  
Troubleshooting

## Accessories

- Ultrasonic Washer : 1
- USB cable : 1
- Cloth bag : 1
- Puff and Puff case : 1
- Operation manual : 1

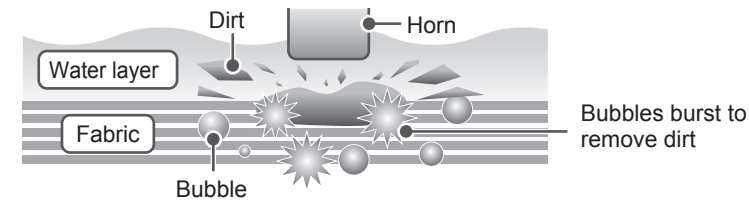


Printed in China TINSJA897QBRZ 16K (CN) 3

## About this Product

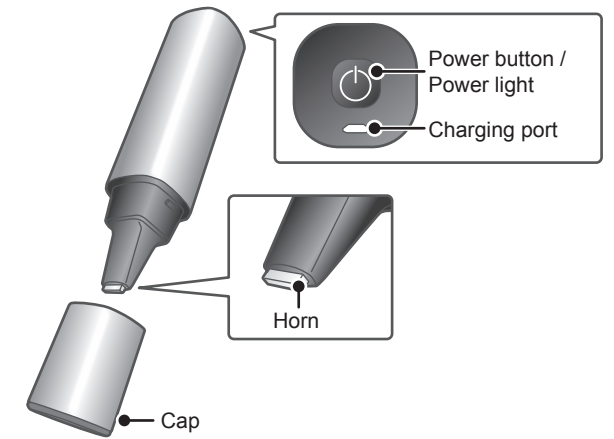
### What is the Ultrasonic Washer?

This product has an ultrasonic horn which vibrates at ultrasonic speed on moistened clothing to create micro-bubbles in the water. The bursting force of the bubbles assist in removing dirt and stains. The Ultrasonic washer is best for the removal of spot stains as soon as they occur on wearable clothing.



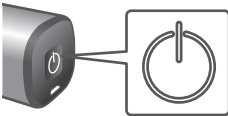
- Do not use on delicate items such as leather, waterproof / water resistant clothing, ornamented or detailed items or any clothing which will shrink, lose form or suffer surface alteration if placed in water.
- This product will not easily remove, ink stains, dyes, chemicals and adhesives.
- The ultrasonic washer should not be used on varnished, waxed, polished and other hard surfaces.
- Check the indicated fabric information and instructions for handling. If you are uncertain whether the fabric will be adversely affected, try using the washer on a small, **inconspicuous part of the fabric first**.
- With the elapse of time, dirt may become more difficult to remove.

## Parts of the Product

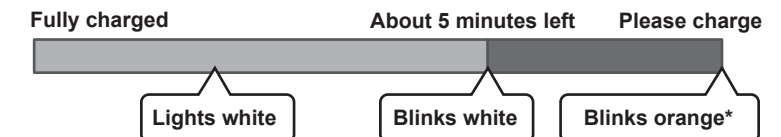


### Power Indicator

When you press the power button (turn on the power), the power button lights/blinks according to the amount of charge remaining. If there is no light present after pushing the Power button, the battery has no power (flat). Charge the battery as per "Charging (preparation)".



### Charge level



\* There is not enough power to use the washer.

## Safety Information

Always observe these rules

Read this information to prevent human injury and property damage.

■ Potential hazards caused by incorrect method are divided into the following categories.

- Danger** High risk of death or serious injury
- Warning** Risk of death or serious injury
- Caution** Risk of minor injury or property damage

■ The type of rule is indicated by the following symbols.

- Prohibited
- Mandatory

### Danger

- Do not use this product within one meter of any medical electronic equipment such as pacemakers, life support equipment and electrocardiograph devices.
- This product may interfere with these devices and may cause death or serious injury.

### Warning

- Do not use this product directly on skin (human or animal). The cool invisible ultrasonic energy may cause irreversible damage to eyes, skin, teeth, bones, joints, organs and soft tissue. (Risk of accidents and injury)
- Do not do the following to the USB cable. (Risk of fire and electric shock)
  - Do not damage
  - Do not bend forcefully
  - Do not bundle
  - Do not modify
  - Do not twist forcefully
  - Do not place heavy objects on the cable
  - Do not bring near thermal appliances
  - Do not pull forcefully on the cable
- Do not pull the USB cable to unplug the AC adapter. (Risk of fire and electric shock)
- Do not plug in or unplug the AC adapter with a wet hand. (Risk of fire and electric shock)
- Do not use if dropped or damaged. (Risk of fire and electric shock)
- Do not disassemble or modify. (Risk of fire, electric shock, and injury)
  - The battery cannot be replaced.

### Warning

- Do not allow a child to use the product. Keep out of reach of small children. (Risk of accidents)
- Do not touch the horn (any metal parts) with your hand or finger, or do not put your hand or any other body part beneath the garment during operation. (Risk of injury or burn)
- Do not use the product for any purpose other than those indicated in this operation manual. (Risk of accidents)

- If you notice a strange sound, smoke, strange odour, or other abnormal condition, stop charging or using immediately and contact your authorised service centre. (Risk of fire, electric shock, and injury)
- Do not use irregular/non-standard AC adapter which does not satisfy the output voltage of 5V and the output current of 0.5A or higher. (Risk of fire, electric shock and failure)
- Connect the AC adapter directly into the power outlet. (Risk of heat generation and fire if the ratings are exceeded due to use of a multi-outlet extension cord or similar device)
- This appliance is not intended for use by persons (including children) with reduced physical, sensory or mental capabilities, or lack of experience and knowledge. (Risk of injury and accidents)

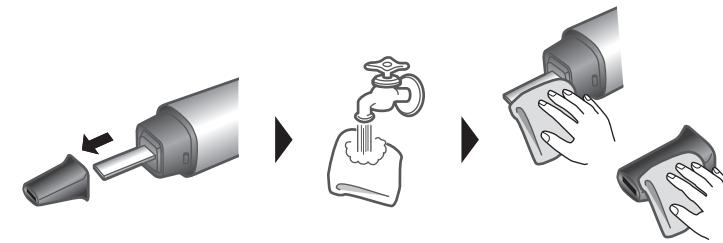
### Caution

- Do not wash this product in water or submerge in water. (Risk of electric shock and failure)
  - This washer is not waterproof.
- Do not use this product with benzine, thinner, alcohol, gasoline, kerosene on it. (Risk of fire)
- Do not clean the product while it is charging. (Risk of fire and electric shock)
- When charging, make sure that the USB cable is firmly inserted all the way in. (Risk of fire and electric shock)
- Do not place in an unstable position. (Risk of accidents)
- Do not use on dry clothing. (Risk of accidents)

- When cleaning with the ultrasonic washer, always place the item on a flat surface. (Risk of accidents and injury)

## Maintenance

### Main unit



### Caution!

- Do not submerge this product in water or allow the main unit to come into direct contact with any water. Ensure the Ultrasonic Washer is off (no power) prior to cleaning.

### Puff

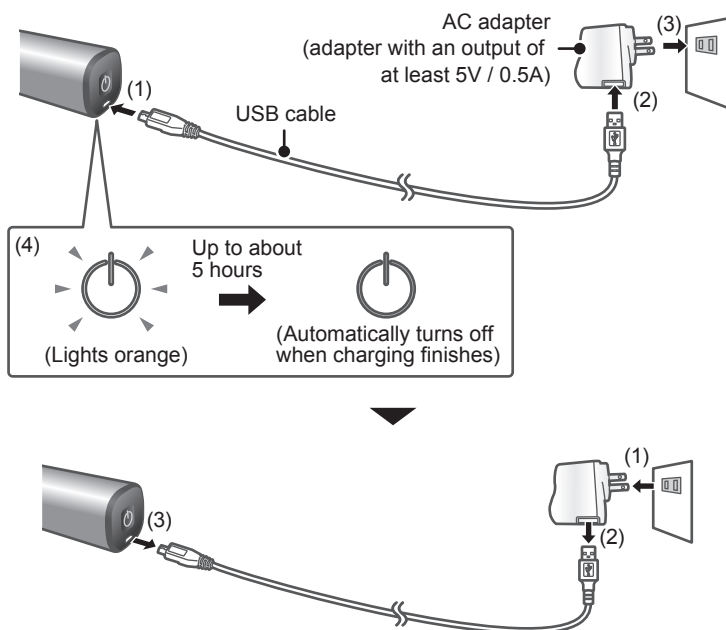


## Specifications

Model	UW-A1
Power requirement	Ni-MH Battery DC 4.8 V / 900 mAh
Charging time	Approx. 5 hours
Usable time	Approx. 30 min. (when fully charged) (when the ambient temperature is 25°C)
Ultrasonic frequency	Approx. 38 kHz
Power consumption	Approx. 7 W
Operating temperature	5 to 40°C
Dimensions	Approx. 40 mm (W) x 40 mm (D) x 168 mm (H)
Product weight	Approx. 200 g (without cap)

## Charging (preparation)

- A USB charger (AC adapter) is not included with the product.
- Prepare the charger with an output of 5V  $\overline{\text{---}}$  0.5A or higher to charge the battery before using the washer.
- A computer or a mobile battery with USB terminal can be also used to charge the washer by connecting it via the USB cable.



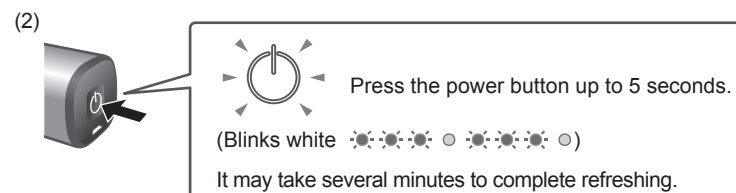
- **The washer cannot be used while it is charging.**
- If you press the power button with the power supply connected after charging finishes, the washer will not operate. (The light will blink orange 5 times to notify you.)
- Do not use irregular/non-standard AC adapter which does not satisfy the output voltage of 5V and the output current of 0.5A or higher.

## Refreshing the battery

When you first use the washer, or use it after an extended period of non-use, the battery may deplete quickly even after charging or not charge properly. In this event, refresh the battery as explained below.

- Do not remove the cap when performing these steps.

(1) Charge until fully charged.



(3) When the power light blinks orange, charge the battery and use it.

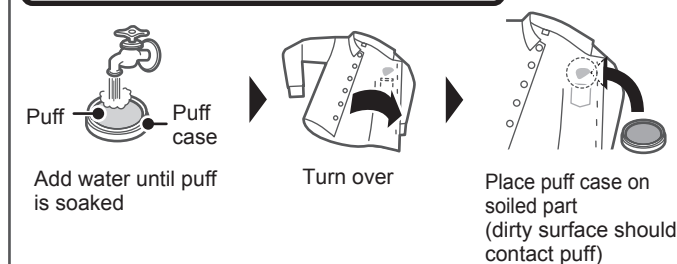
## How to use the washer (for pre-treatment to remove stain)

- 1** Fill a tub with water and place the dirty item in the water. Remove from the tub\* and lay on a flat surface. \*Make sure that the item is wet enough.

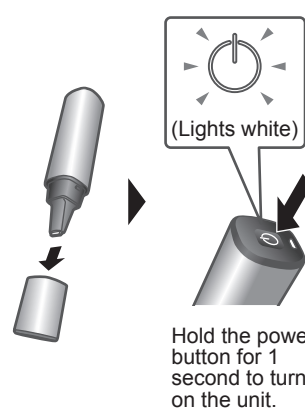


- Water is required to use the ultrasonic washer. Cleaning without using water or allowing the washer to idle may damage the garment or washer. (The horn will become abnormally hot causing the power to turn off automatically for safety reasons.)
- **Always keep the horn in contact with the garment and move the horn while cleaning. If the horn is not kept in contact with the garment or the horn is stopped in one location, it causes the horn to become worn.**

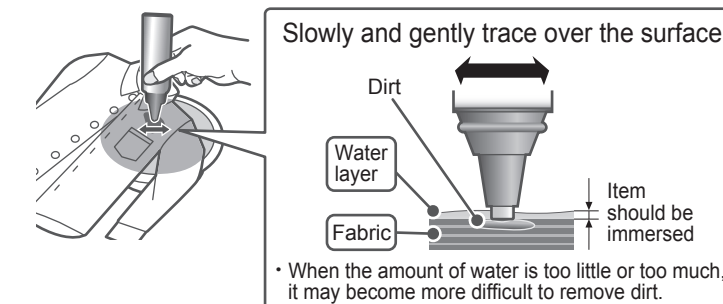
### Using a Puff, such as when you are not at home



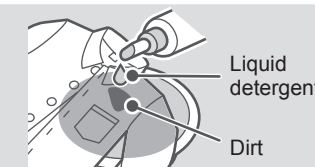
- 2** Turn on the power.



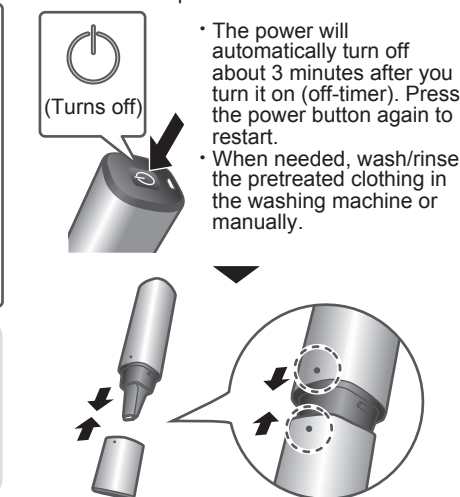
- 3** Clean the dirty part.



- For easier cleaning, use a liquid detergent.



- 4** Turn off the power. Press the power button.



## Troubleshooting

### The washer does not operate

Is the battery charged?	→ Charge the battery. <ul style="list-style-type: none"> <li>• If the light blinks orange, the battery is not charged sufficiently to operate the washer.</li> </ul>
Is the USB cable disconnected?	→ Disconnect the USB cable. <ul style="list-style-type: none"> <li>• The washer will not operate when the USB cable is connected.</li> </ul>
Did you immediately release the power button?	→ Hold down the power button for at least 1 second. <ul style="list-style-type: none"> <li>• To prevent malfunctioning, the power does not turn on immediately.</li> </ul>

### The washer stops immediately / too soon

Is the battery sufficiently charged?	→ Charge the battery. <ul style="list-style-type: none"> <li>• If the light blinks orange after pressing the power button, then the battery is not charged sufficiently to operate the washer. At least 5 hours are required to fully charge the battery.</li> </ul>
Did the off-timer activate?	→ Press the power button again. <ul style="list-style-type: none"> <li>• The off-timer is a safety device that prevents the power from being accidentally left on.</li> </ul>
Has the washer been unused for a long time?	→ Charge the battery several times in succession. <ul style="list-style-type: none"> <li>• See "Refreshing the battery".</li> </ul>
Is the ambient temperature too high?	→ The recommended ambient operating temperature is 5 to 40°C. <ul style="list-style-type: none"> <li>• When the ambient temperature is too high or too low, the operation time may become shorter.</li> </ul>

Did you perform cleaning without using water?	→ <b>The washer and horn may become abnormally hot if cleaning is performed without water or the power is turned on without using the washer for a long period of time.</b> In such a case, operation will stop automatically for safety reasons. Turn off the power, wait for approximately 30 minutes and then use the washer after the temperature has dropped. (Do not touch the horn)
How do I know if my product is working?	→ The indication light should be on. <ul style="list-style-type: none"> <li>• Carefully test the horn on the moistened puff provided. You should notice bubbling water / fine mist if the product is working.</li> </ul>

### The battery does not charge

Is the AC adapter plugged into the power outlet?	→ Plug the AC adapter into the power outlet. <ul style="list-style-type: none"> <li>• Use an adapter with an output of 5V / 0.5A or higher.</li> </ul>
Is the USB cable connected to the AC adapter?	→ Connect the USB cable to the AC adapter. <ul style="list-style-type: none"> <li>• Use an adapter with an output of 5V / 0.5A or higher.</li> </ul>
Are you using a commercially available USB hub or AC adapter?	→ The USB hub (or adapter) may not have sufficient output. <ul style="list-style-type: none"> <li>• Use a hub with an output of 5V / 0.5A or higher.</li> </ul>

### The washer makes a strange sound

This is the vibrating sound of the ultrasonic washer.	→ It is normal for the washer to make this sound.
---	---

### A smoke-like mist appears while the washer is in operation

The vibration of the ultrasonic washer causes mist to form.	→ This is normal and is not a problem.
---	--

### Dirt is not removed

Is there enough water?	→ Clean the soiled part after soaking it in water. <ul style="list-style-type: none"> <li>• Read and understand "How to use the washer (for pre-treatment to remove stain)" before using the washer.</li> </ul>
Check the type of fabric and type of dirt.	→ Some types of fabric and some types of dirt may not be cleanable. <ul style="list-style-type: none"> <li>• Read and understand "About this Product" before using the washer.</li> </ul>
Are you pressing the tip (horn) too hard?	→ Clean using only enough force to gently trace over the part. <ul style="list-style-type: none"> <li>• Pressing too hard may make it more difficult to remove dirt.</li> </ul>
Are you using the washer incorrectly?	→ Use the washer correctly. <ul style="list-style-type: none"> <li>• Read and understand "How to use the washer (for pre-treatment to remove stain)" before using the washer.</li> </ul>

### The horn tip is rough

The horn tip to become slightly rough because of its nature.	→ In some conditions of use, friction may cause the horn to become rough. This is not a problem and you can continue using the horn.
--	--

### The horn tip is damaged.

You pressed the horn tip hard on a hard object. The washer fell on the floor.	→ Stop using the washer as the horn may damage the garment. <ul style="list-style-type: none"> <li>• We recommend taking the product to your nearest authorised service centre.</li> </ul>
---	--

### Q&A

What type of material can the washer be used on?	→ The washer can be used on suitable, wearable clothing items. Do not use on items which may be damaged by water. Test on an inconspicuous area before use. Refer to "About this Product" for more information.
What kind of dirt does the washer remove?	→ The washer removes various types of dirt. Refer to "About this Product" for more information.
How much time is required to clean?	→ This depends on conditions such as the type and size of dirt. A small soiled area can be cleaned in under a minute.
Cautionary points during use?	→ <b>Always keep the horn in contact with the garment and move the horn while cleaning. If the horn is not kept in contact with the garment or the horn is stopped in one location, it causes the horn to become worn. (This is not a defect and will not affect the washing performance.)</b>
Can the battery be replaced?	→ No, the battery cannot be replaced.
Is the washer waterproof?	→ No, the washer is not waterproof. Submersing the washer in water may cause failure.
Can the washer be used to give an electric facial?	→ Never use the washer to give an electric facial. The frequency of the washer is different from the frequency used for electric facials. Risk of an accident and injury.
Can I use the washer if I have a pacemaker?	→ Never use the washer if you have a pacemaker. The vibration of the horn may affect the pacemaker.
Can I order a puff?	→ Please purchase a similar product that is sold commercially.