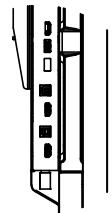
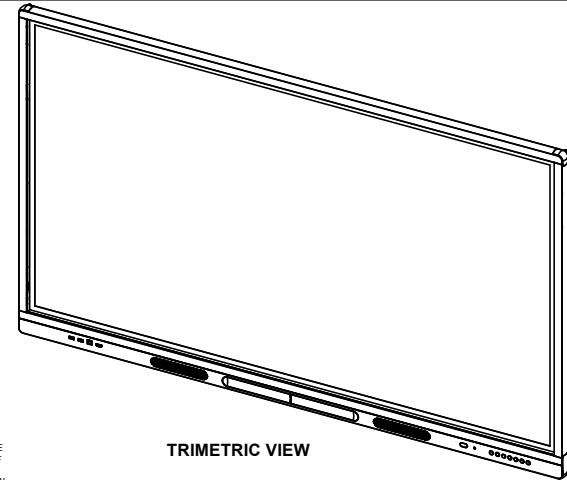
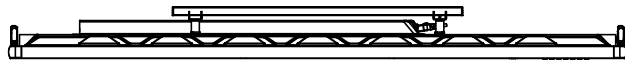


# SMART Board MX065-V2 Interactive Display<sup>®</sup>™ SBID-MX065-V2

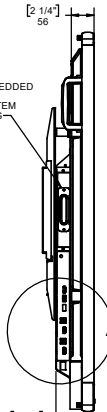
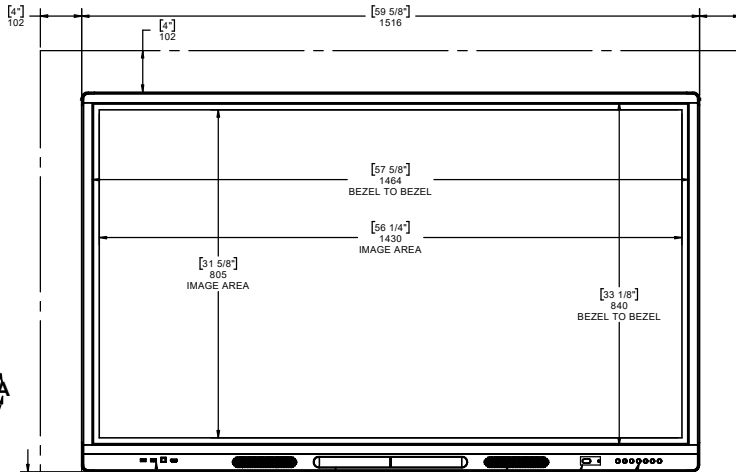
- NOTE:  
 1. PANEL WEIGHT WITHOUT CABLES OR ACCESSORIES APPROXIMATELY 95.7 LBS (43.4 KG)  
 2. ENSURE MOUNTING BRACKETS AND WALL ARE RATED FOR LOAD



DETAIL A  
LEFT CONNECTION  
PANEL



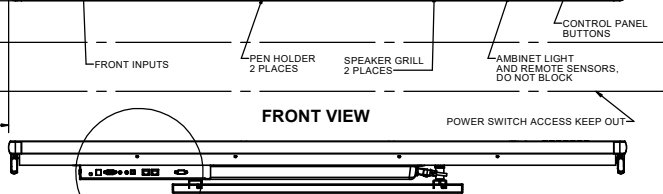
TOP VIEW



SIDE VIEW

SEE EMBEDDED  
MODULE  
ECOSYSTEM  
DRAWING

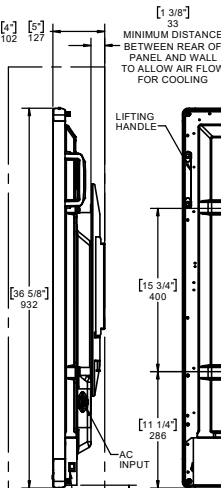
IF INTERACTIVE FLAT PANEL  
IS MOUNTED IN A RECESS AREA  
LEAVE AT LEAST 4" (10cm) OF  
SPACE BETWEEN THE PANEL AND  
THE RECESS WALLS TO ENABLE  
VENTILATION AND COOLING



FRONT VIEW



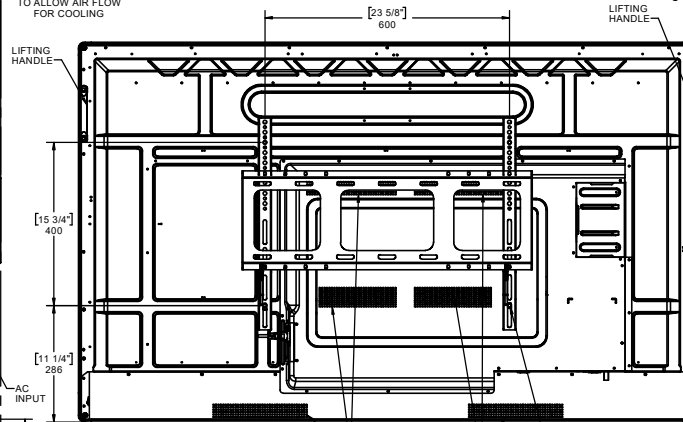
BOTTOM VIEW



SIDE VIEW

[1 3/8"]  
33  
MINIMUM DISTANCE  
BETWEEN REAR OF  
PANEL AND WALL  
TO ALLOW AIR FLOW  
FOR COOLING

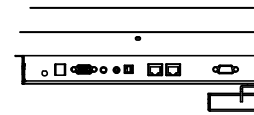
TRIMETRIC VIEW



BACK VIEW

[36 5/8"]  
932  
AC INPUT  
ON/OFF SWITCH

[9"]  
229  
POWER SWITCH  
ACCESS



DETAIL B  
BOTTOM CONNECTION  
PANEL

These drawings are for outline and installation purposes only.

All dimensions are given in millimeters (inches).

Dimensions are subject to change without notice.

All dimensions +/-3mm (1/8")

NOTE: DO NOT SCALE

The contents of this document are compiled from a variety of documents to provide a consolidated view of key criteria. Should there be any information you need that is not adequately captured in either this document or the related documents, please contact us at [cadrequest@smarttech.com](mailto:cadrequest@smarttech.com) for assistance.

This document is uncontrolled at the time of printing. Please ensure you are using the latest revision available.



3636 Research Road NW  
Calgary, Alberta T2L 1Y1  
CANADA

© 2019 SMART Technologies ULC.  
All rights reserved.  
The SMART logo, smarttech and all SMART taglines are trademarks or registered trademarks of SMART Technologies ULC in the U.S. and/or other countries.

This product and/or use thereof covered by one or more of the following U.S. patents.

[www.smarttech.com/patents](http://www.smarttech.com/patents)

Page: 1 OF 3

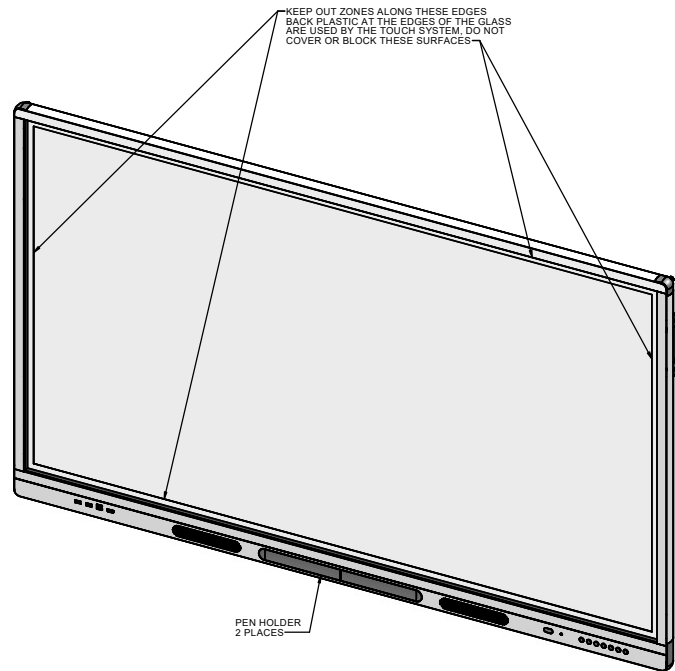
Description:

Ecosystem Drawing, SBID-MX065-V2

Drawing Number: 6010371

Revision: 03

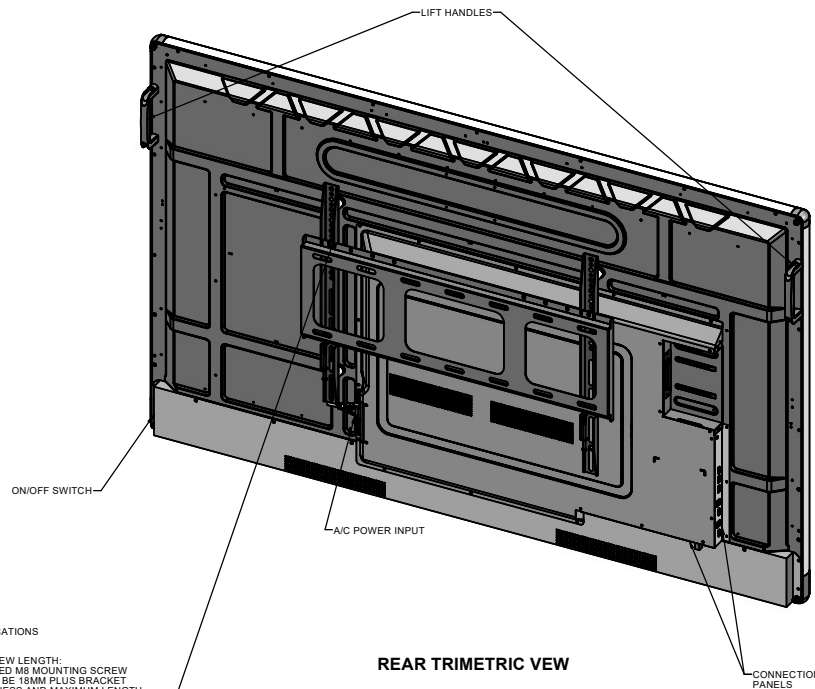
# SMART Board MX065-V2 Interactive Display<sup>®</sup>™ SBID-MX065-V2



FRONT TRIMETRIC VIEW

VESA MOUNTING LOCATIONS  
(400MM X 600MM)

RECOMMENDED SCREW LENGTH:  
SMART RECOMMENDED M8 MOUNTING SCREW  
MINIMUM LENGTH TO BE 18MM PLUS BRACKET  
AND WASHER THICKNESS AND MAXIMUM LENGTH  
TO BE 30MM PLUS BRACKET AND WASHER THICKNESS



REAR TRIMETRIC VIEW

These drawings are for outline and installation purposes only.

All dimensions are given in millimeters (inches).

Dimensions are subject to change without notice.

All dimensions +/-3mm (1/8")

NOTE: DO NOT SCALE

The contents of this document are compiled from a variety of documents to provide a consolidated view of key criteria. Should there be any information you need that is not adequately captured in either this document or the related documents, please contact us at [cadrequest@smarttech.com](mailto:cadrequest@smarttech.com) for assistance.

This document is uncontrolled at the time of printing. Please ensure you are using the latest revision available.

## SMART<sup>®</sup>

3636 Research Road NW  
Calgary, Alberta T2L 1Y1  
CANADA

© 2019 SMART Technologies ULC.  
All rights reserved.  
The SMART logo, smarttech and all SMART taglines are trademarks or registered trademarks of SMART Technologies ULC in the U.S. and/or other countries.

This product and/or use thereof covered by one or more of the following U.S. patents.

[www.smarttech.com/patents](http://www.smarttech.com/patents)

Page: 2 OF 3

Description:

Ecosystem Drawing, SBID-MX065-V2

Drawing Number: 6010371

Revision: 03

# SMART Board MX065-V2 Interactive Display<sup>®</sup>™ SBID-MX065-V2

These drawings are for outline and installation purposes only.

All dimensions are given in millimeters (inches).

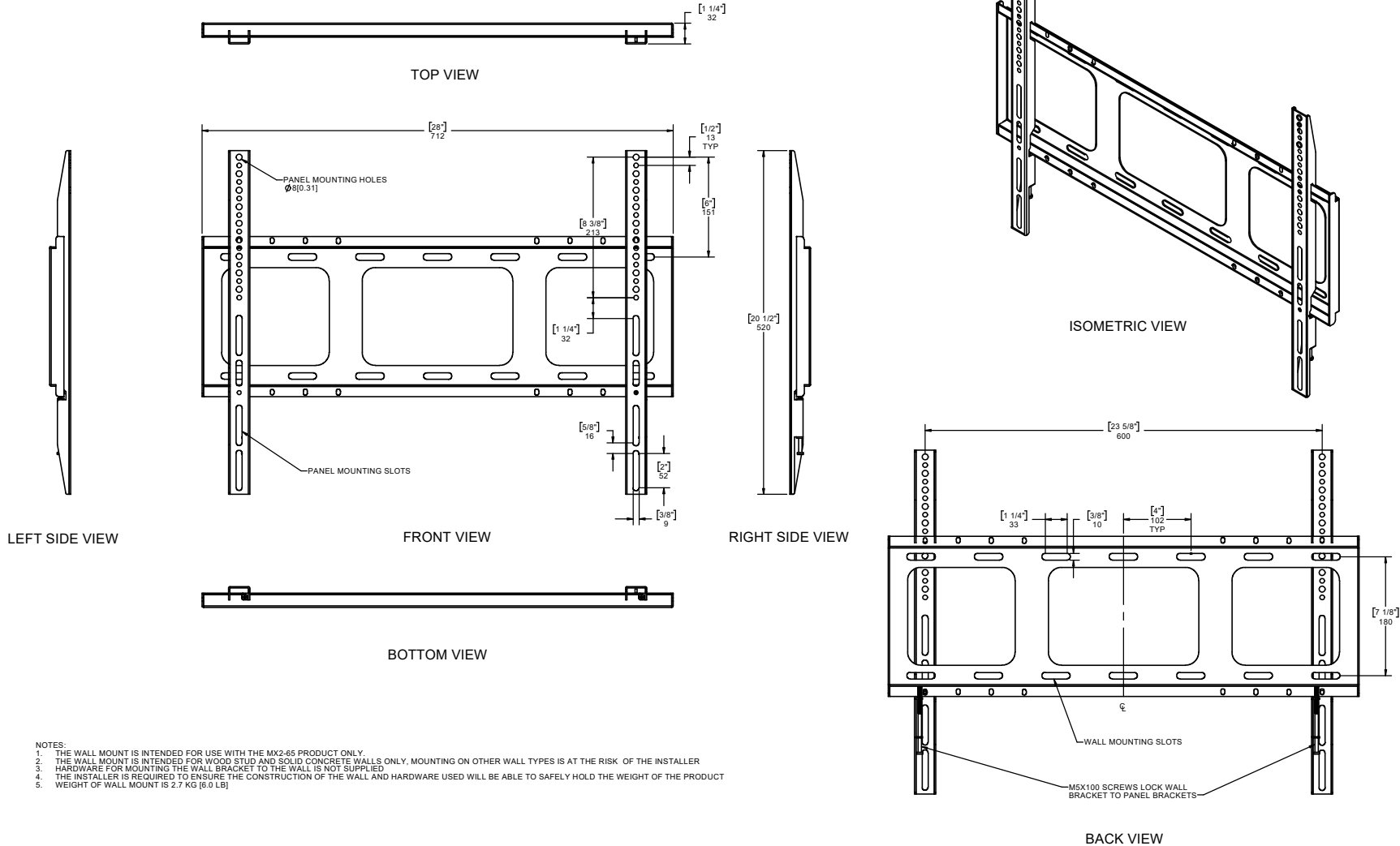
Dimensions are subject to change without notice.

All dimensions +/-3mm (1/8")

NOTE: DO NOT SCALE

The contents of this document are compiled from a variety of documents to provide a consolidated view of key criteria. Should there be any information you need that is not adequately captured in either this document or the related documents, please contact us at [cadrequest@smarttech.com](mailto:cadrequest@smarttech.com) for assistance.

This document is uncontrolled at the time of printing. Please ensure you are using the latest revision available.



- NOTES:
1. THE WALL MOUNT IS INTENDED FOR USE WITH THE MX2-65 PRODUCT ONLY.
  2. THE WALL MOUNT IS INTENDED FOR WOOD STUD AND SOLID CONCRETE WALLS ONLY. MOUNTING ON OTHER WALL TYPES IS AT THE RISK OF THE INSTALLER
  3. HARDWARE FOR MOUNTING THE WALL BRACKET TO THE WALL IS NOT SUPPLIED
  4. THE INSTALLER IS REQUIRED TO ENSURE THE CONSTRUCTION OF THE WALL AND HARDWARE USED WILL BE ABLE TO SAFELY HOLD THE WEIGHT OF THE PRODUCT
  5. WEIGHT OF WALL MOUNT IS 2.7 KG (6.0 LB)



3636 Research Road NW  
Calgary, Alberta T2L 1Y1  
CANADA

© 2019 SMART Technologies ULC.  
All rights reserved.  
The SMART logo, smarttech and all SMART taglines are trademarks or registered trademarks of SMART Technologies ULC in the U.S. and/or other countries.

This product and/or use thereof covered by one or more of the following U.S. patents.

[www.smarttech.com/patents](http://www.smarttech.com/patents)

Page: 3 OF 3

Description:

Ecosystem Drawing, SBID-MX065-V2

Drawing Number: 6010371

Revision: 03