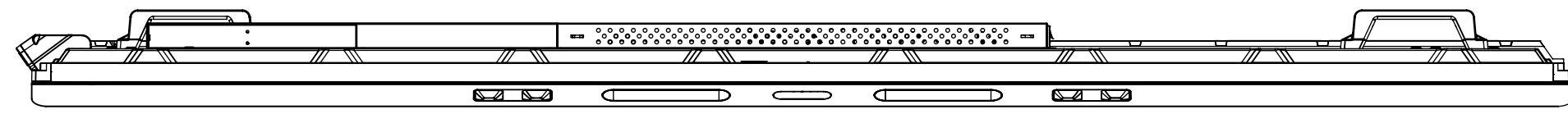
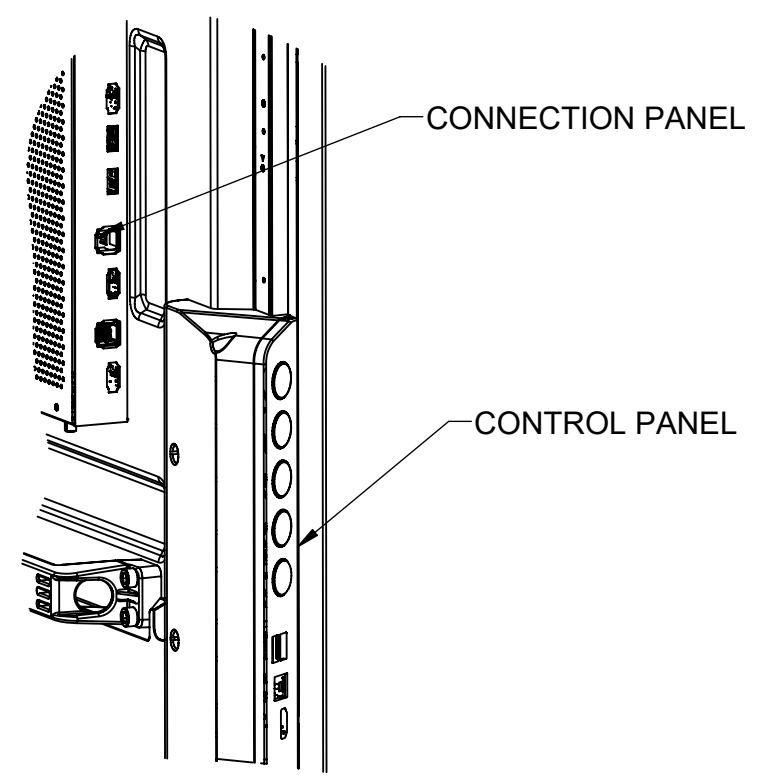


# SMART Board Interactive Display<sup>®</sup>™ SBID-6086S/SBID-6086S-P

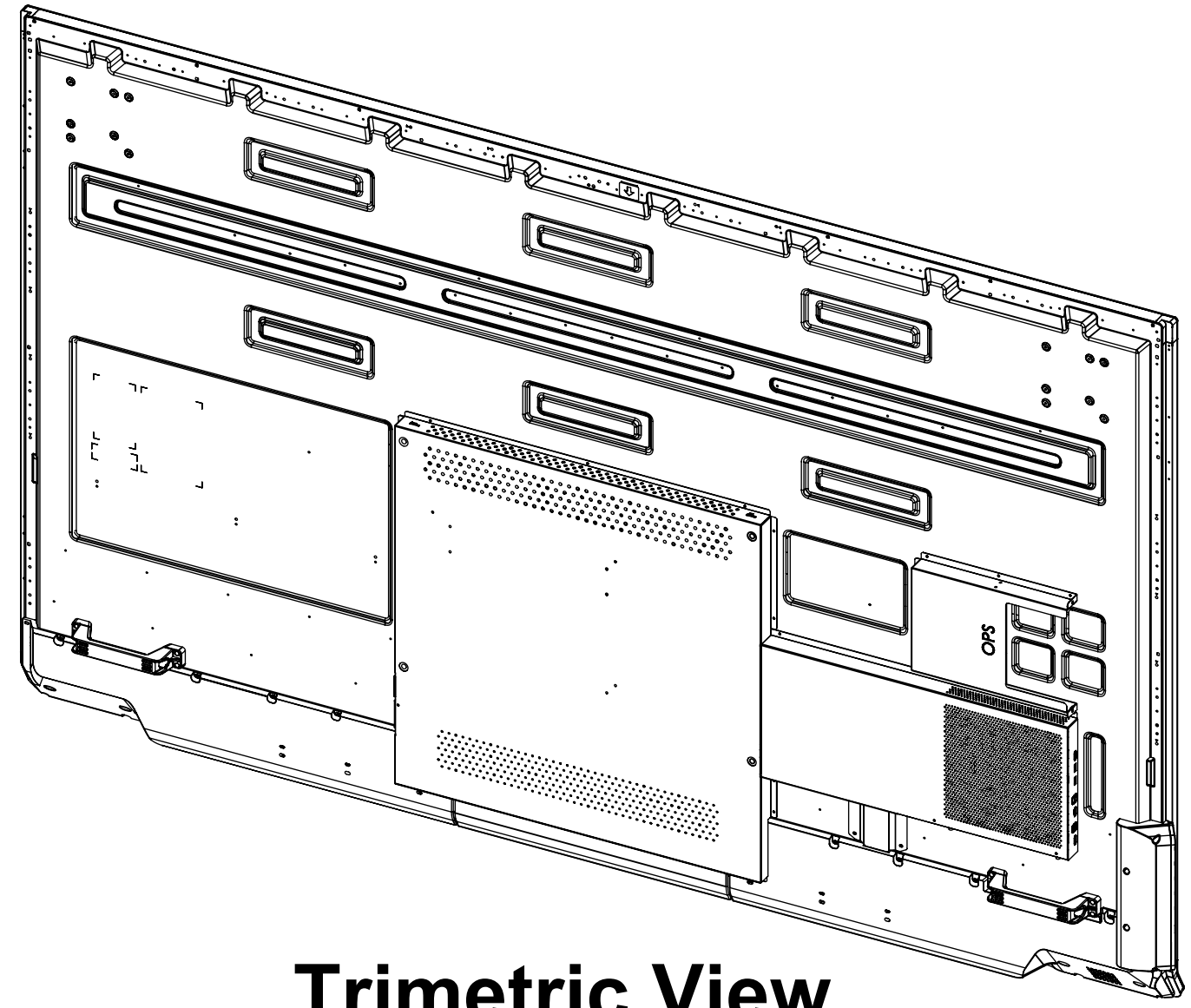
NOTES:  
 1. PANEL WEIGHT IS APPROXIMATELY 80 KG (176LB) NOT INCLUDING CABLES OR ACCESSORIES.  
 2. ENSURE MOUNTING BRACKETS AND WALL ARE RATED FOR LOAD.



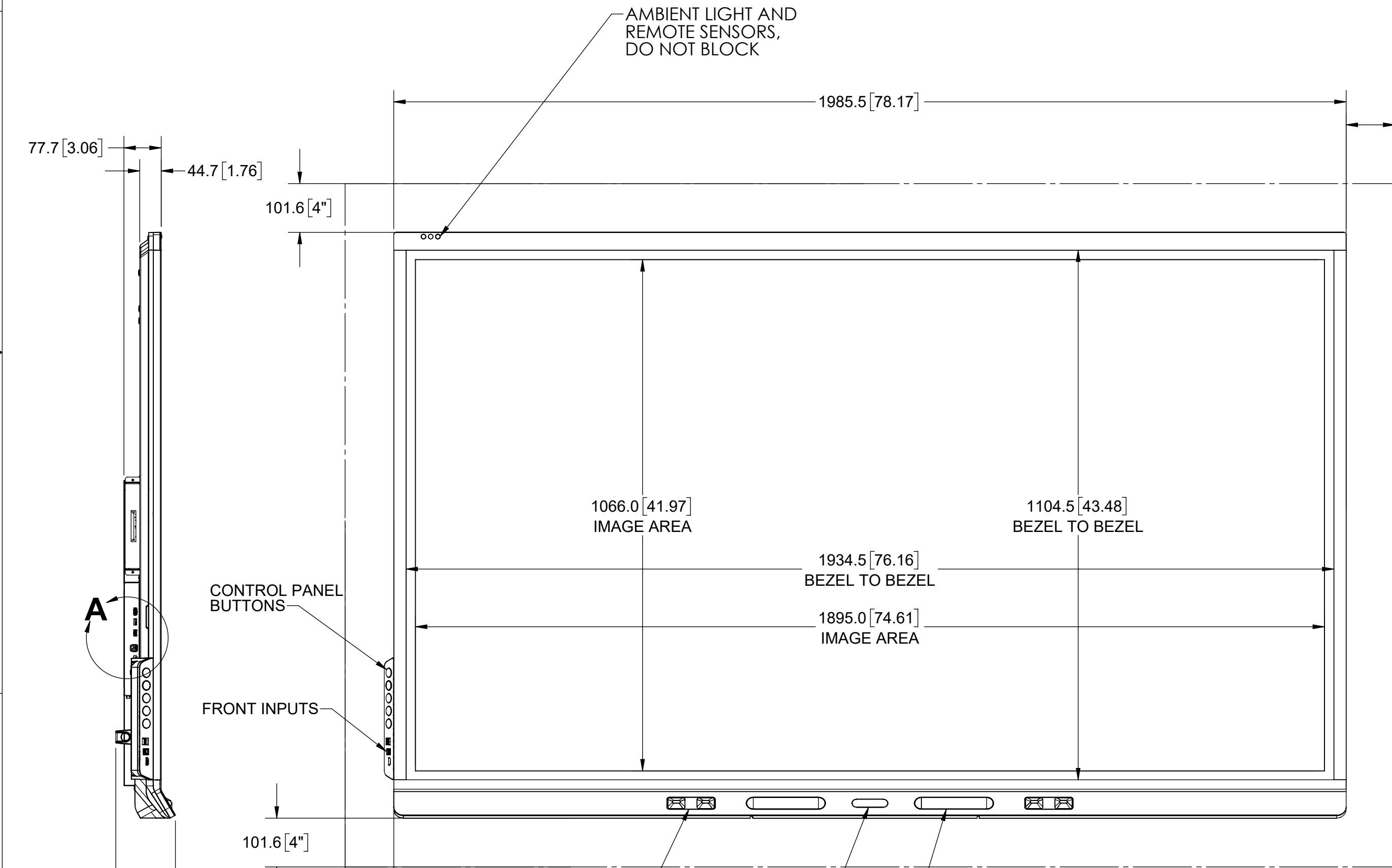
### Top View



### DETAIL A - (ISOMETRIC) LEFT CONTROL AND CONNECTION PANEL

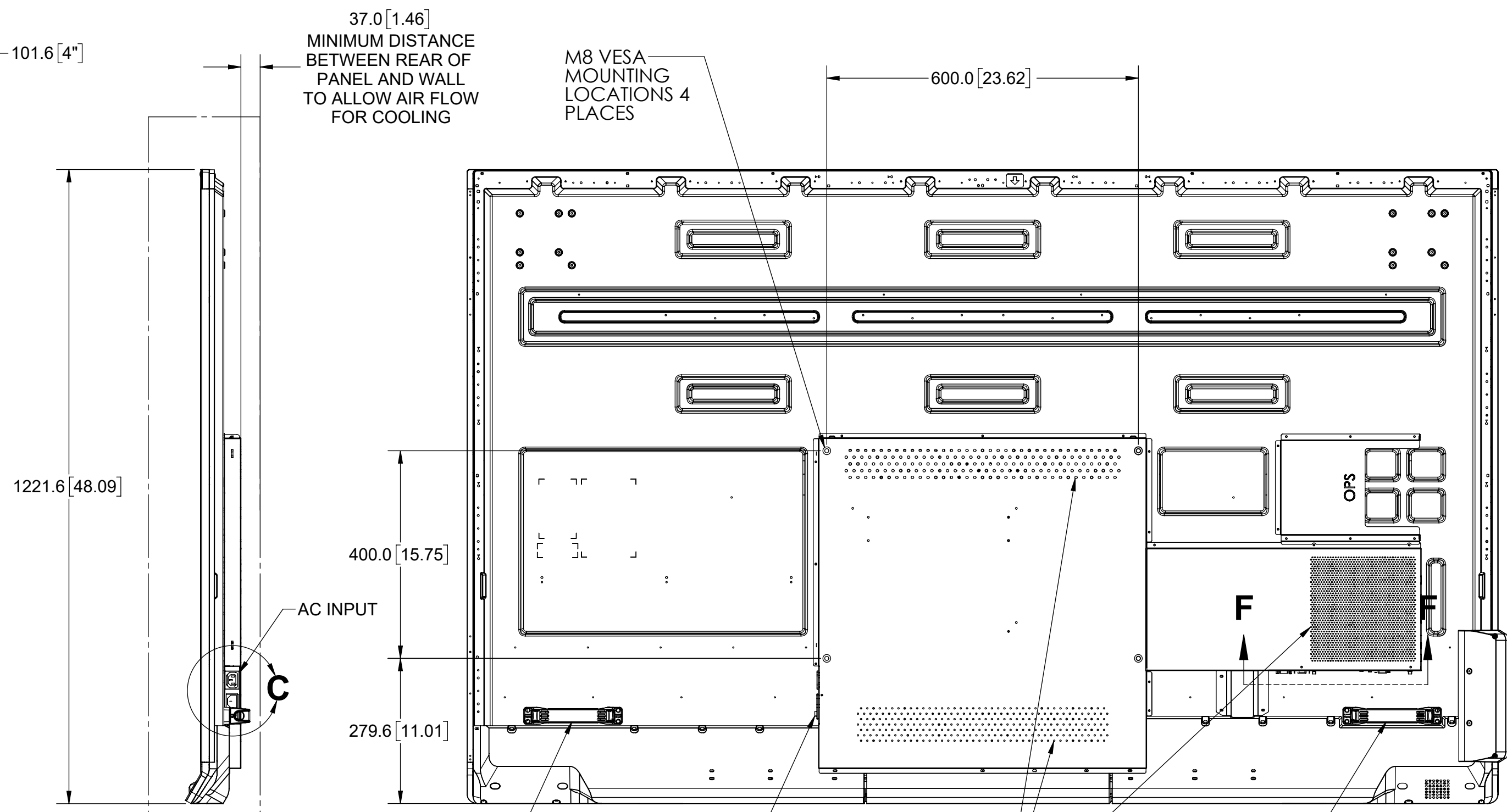


### Trimetric View



### Front View

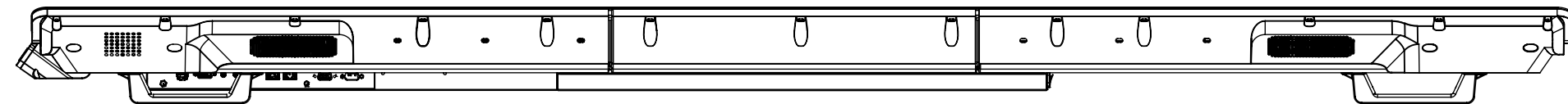
### Side View



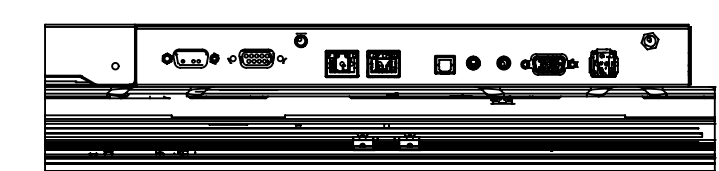
### Back View

### Side View

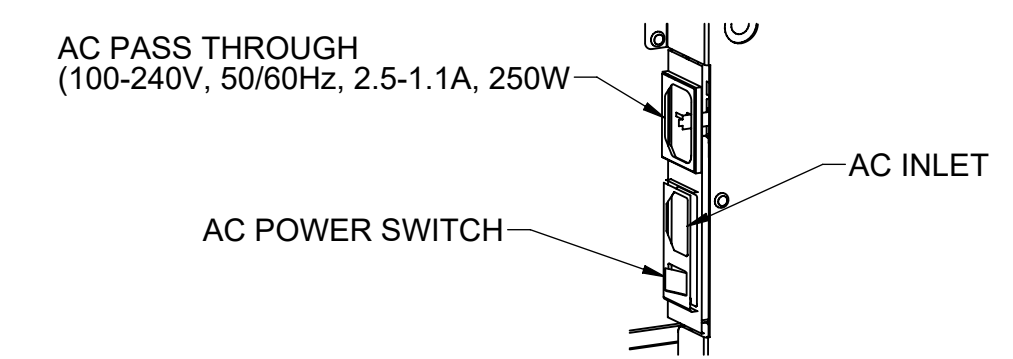
101.6 [4"]  
 IF INTERACTIVE FLAT PANEL IS MOUNTED IN A RECESSED AREA, LEAVE AT LEAST 4" (10cm) OF SPACE BETWEEN THE PANEL AND THE RECESS WALLS TO ENABLE VENTILATION AND COOLING



### Bottom View



### SECTION F-F BOTTOM CONNECTION PANEL



### DETAIL C - (ISOMETRIC) AC PANEL

These drawings are for outline and installation purposes only.

All dimensions are given in millimeters (inches).

Dimensions are subject to change without notice.

All dimensions +/-3mm (1/8")

NOTE: DO NOT SCALE

The contents of this document are compiled from a variety of documents to provide a consolidated view of key criteria. Should there be any information you need that is not adequately captured in either this document or the related documents, please contact us at [cadrequest@smarttech.com](mailto:cadrequest@smarttech.com) for assistance.

This document is uncontrolled at the time of printing. Please ensure you are using the latest revision available.



3636 Research Road NW  
 Calgary, Alberta T2L 1Y1  
 CANADA

© 2019 SMART Technologies ULC.  
 All rights reserved.  
 The SMART logo, smarttech and all SMART taglines are trademarks or registered trademarks of SMART Technologies ULC in the U.S. and/or other countries.

This product and/or use thereof covered by one or more of the following U.S. patents.

[www.smarttech.com/patents](http://www.smarttech.com/patents)

# SMART Board Interactive Display<sup>®</sup>™ SBID-6086S/SBID-6086S-P

These drawings are for outline and installation purposes only.

All dimensions are given in millimeters (inches).

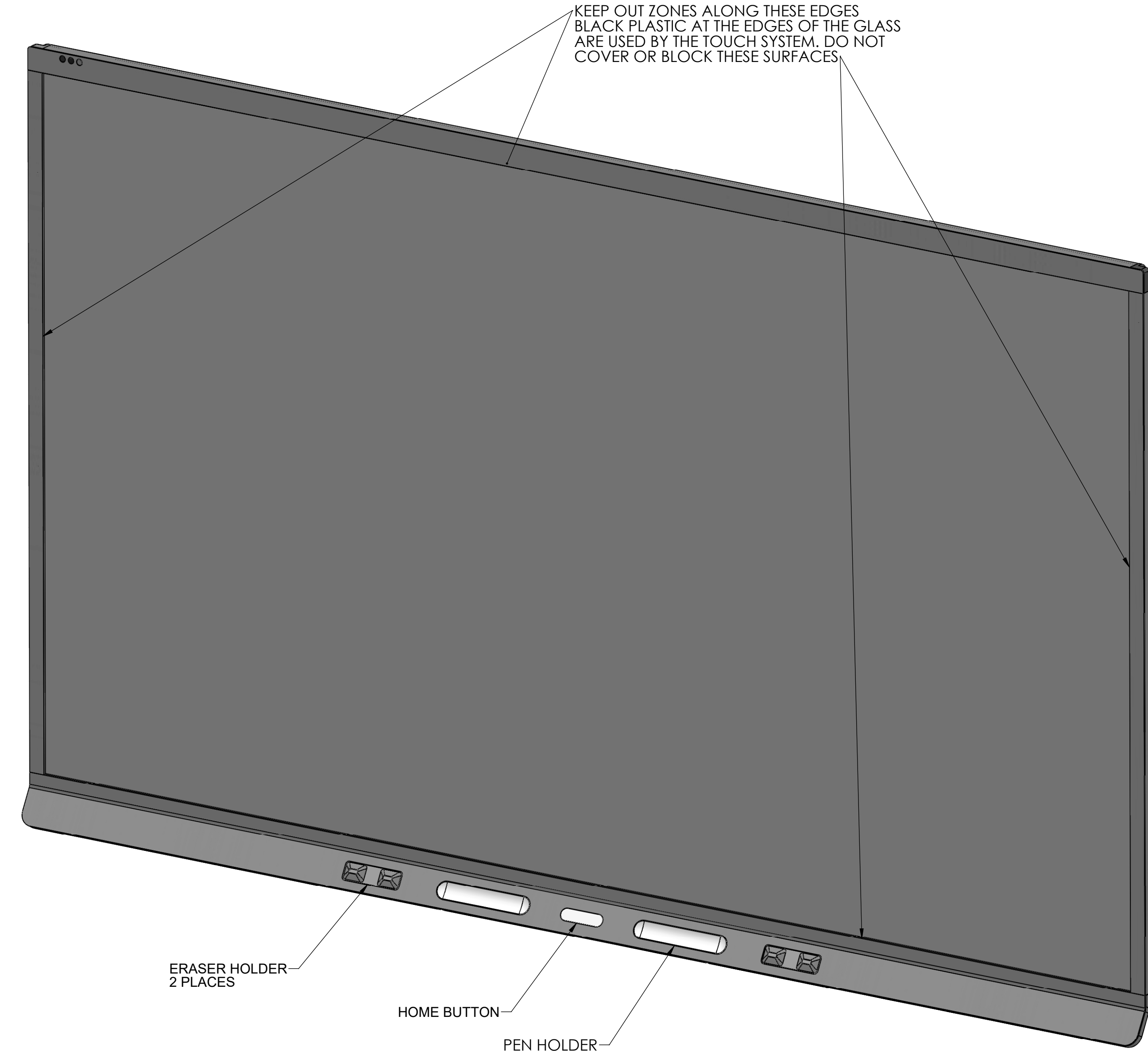
Dimensions are subject to change without notice.

All dimensions +/-3mm (1/8")

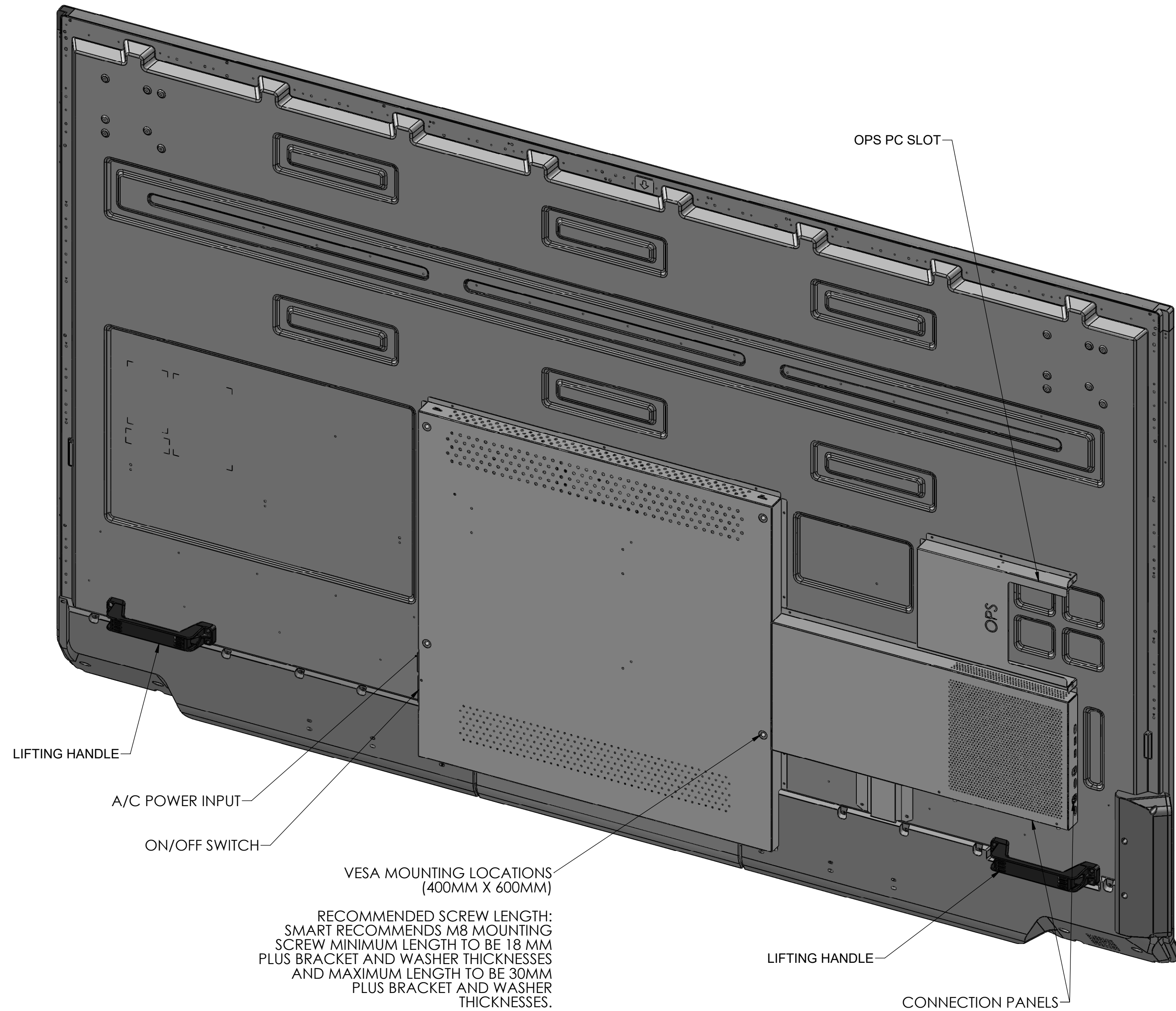
NOTE: DO NOT SCALE

The contents of this document are compiled from a variety of documents to provide a consolidated view of key criteria. Should there be any information you need that is not adequately captured in either this document or the related documents, please contact us at [cadrequest@smarttech.com](mailto:cadrequest@smarttech.com) for assistance.

This document is uncontrolled at the time of printing. Please ensure you are using the latest revision available.



### Front Trimetric View



### Rear Trimetric View



3636 Research Road NW  
Calgary, Alberta T2L 1Y1  
CANADA

© 2019 SMART Technologies ULC.  
All rights reserved.  
The SMART logo, smarttech and all  
SMART taglines are trademarks or  
registered trademarks of  
SMART Technologies ULC in the U.S.  
and/or other countries.

This product and/or use thereof covered  
by one or more of the following U.S.  
patents.

[www.smarttech.com/patents](http://www.smarttech.com/patents)

# SMART Board Interactive Display<sup>®</sup>™ SBID-6086S/SBID-6086S-P

These drawings are for outline and installation purposes only.

All dimensions are given in millimeters (inches).

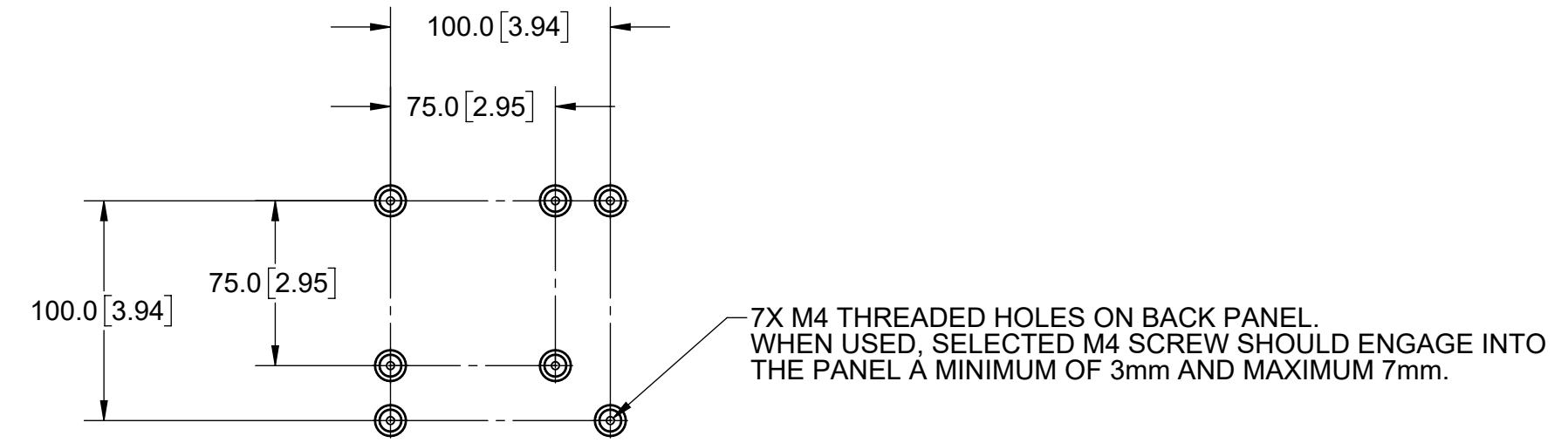
Dimensions are subject to change without notice.

All dimensions +/-3mm (1/8")

NOTE: DO NOT SCALE

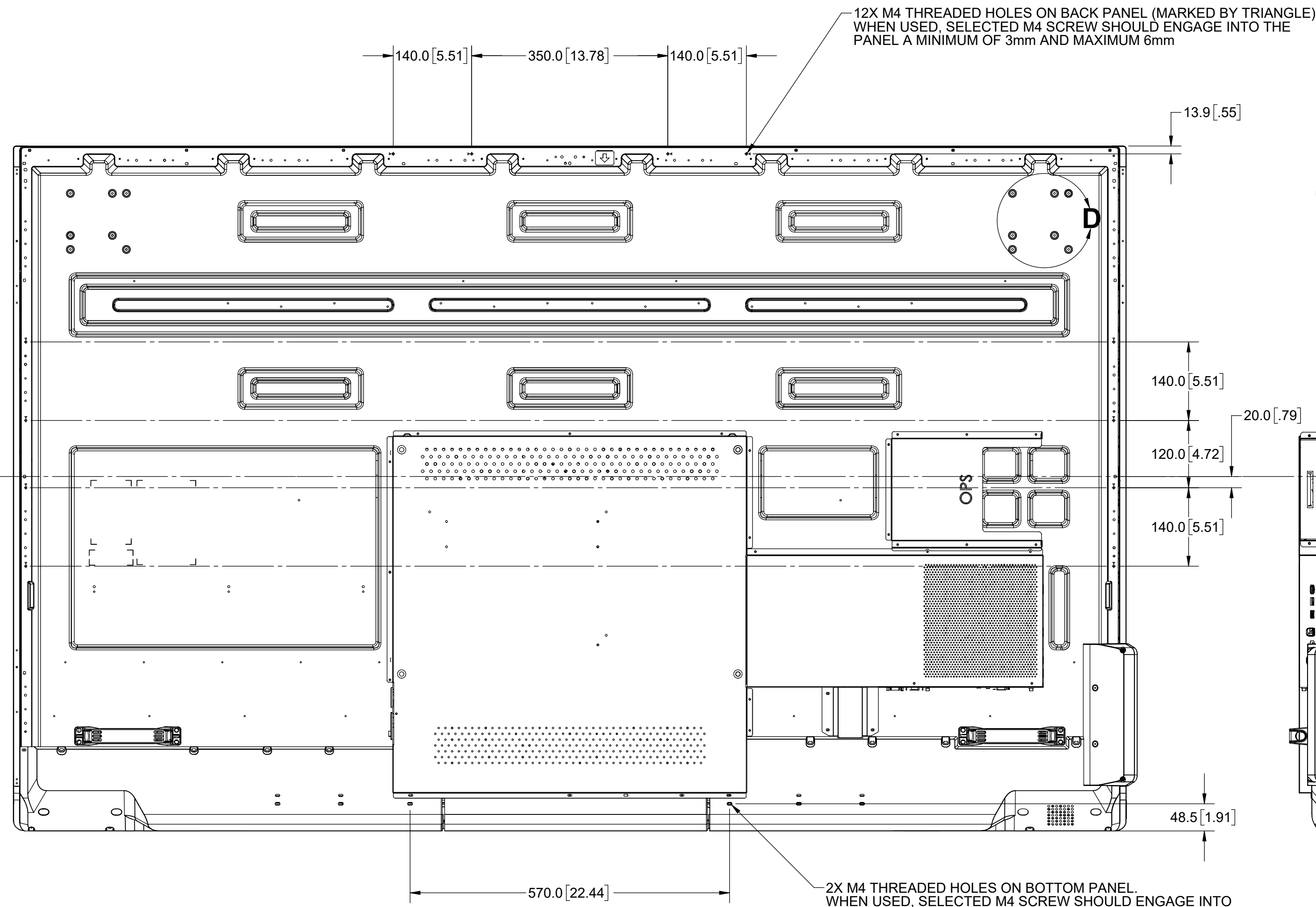
The contents of this document are compiled from a variety of documents to provide a consolidated view of key criteria. Should there be any information you need that is not adequately captured in either this document or the related documents, please contact us at [cadrequest@smarttech.com](mailto:cadrequest@smarttech.com) for assistance.

This document is uncontrolled at the time of printing. Please ensure you are using the latest revision available.

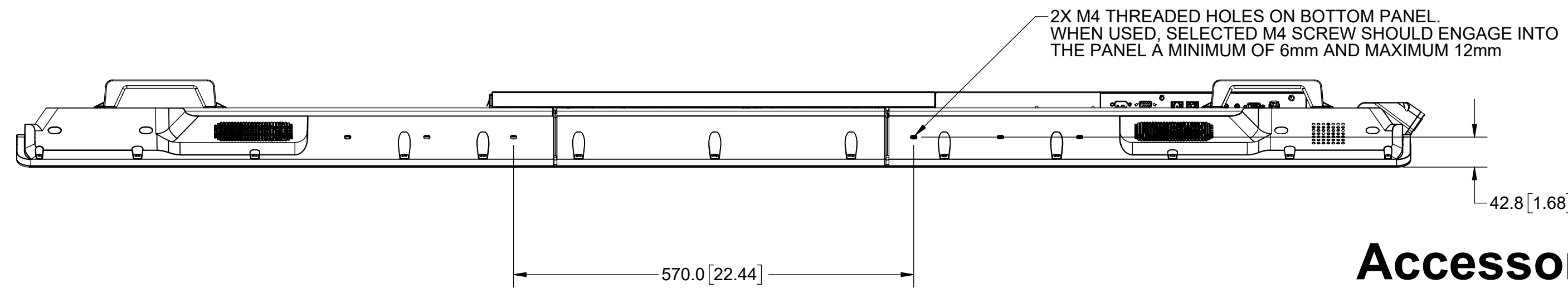


7X M4 THREADED HOLES ON BACK PANEL. WHEN USED, SELECTED M4 SCREW SHOULD ENGAGE INTO THE PANEL A MINIMUM OF 3mm AND MAXIMUM 7mm.

### DETAIL D VESA MIS-D FOR MINI PC MOUNT 2 PLACES



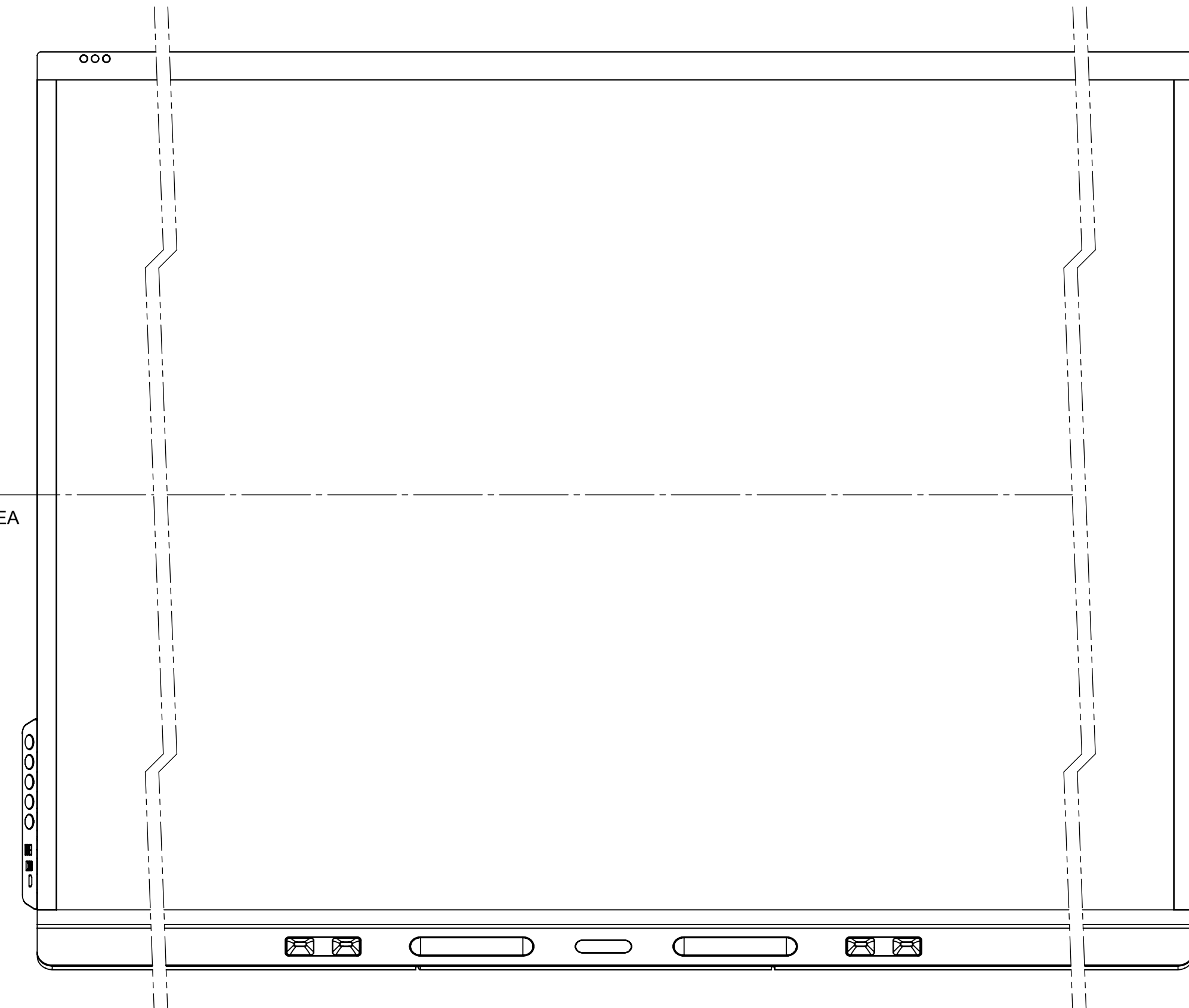
12X M4 THREADED HOLES ON BACK PANEL (MARKED BY TRIANGLE). WHEN USED, SELECTED M4 SCREW SHOULD ENGAGE INTO THE PANEL A MINIMUM OF 3mm AND MAXIMUM 6mm



2X M4 THREADED HOLES ON BOTTOM PANEL. WHEN USED, SELECTED M4 SCREW SHOULD ENGAGE INTO THE PANEL A MINIMUM OF 6mm AND MAXIMUM 12mm

2X M4 THREADED HOLES ON BOTTOM PANEL. WHEN USED, SELECTED M4 SCREW SHOULD ENGAGE INTO THE PANEL A MINIMUM OF 6mm AND MAXIMUM 12mm

### Accessory Mounting Points



### Front View



3636 Research Road NW  
Calgary, Alberta T2L 1Y1  
CANADA

© 2019 SMART Technologies ULC. All rights reserved. The SMART logo, smarttech and all SMART taglines are trademarks or registered trademarks of SMART Technologies ULC in the U.S. and/or other countries.

This product and/or use thereof covered by one or more of the following U.S. patents.

[www.smarttech.com/patents](http://www.smarttech.com/patents)